



The Signature of Quality

**FEDERAL INDUSTRIES**

A Standex Company

215 Federal Avenue Belleville  
Wisconsin 53508-9201

**Phone:** 800-356-4206

**Fax:** 608-424-3234

**Email:** Geninfo@Federalind.com

**Website:** Federalind.com

Project Name: \_\_\_\_\_

Item #: \_\_\_\_\_

Model #: \_\_\_\_\_ Qty: \_\_\_\_\_

Approval: \_\_\_\_\_

AIA #

SIS #

**Italian Glass Refrigerated Self-Serve Merchandiser**

Designed for customers looking for a rich, up-scale Italian styling for maximum visual appeal that will drive product sales.



Model ITRSS4834-B18  
Shown with optional laminate

**OPTIONAL ACCESSORIES**

- Special Base Laminates
- Condensate Pump
- Cord & Plug (6'/1829 mm) (SC models only)
- Stainless Steel Shelving
- Reflective Rear Doors
- Reflective Ends
- Front Air Intake & Discharge
- 4"/102mm Casters
- Recessed Casters
- 6"/152mm Legs with or without skirt
- Rear Package Shelf
- Remote Condensing Unit
- Joining Kit for Continuous Line-Ups

MODEL	LENGTH (Includes End Panels)
<input type="checkbox"/> ITRSS3626-B18	36 x 33 x 44 (in) 914 x 838 x 1118 (mm)
<input type="checkbox"/> ITRSS4826-B18	48 x 33 x 44 (in) 1219 x 838 x 1118 (mm)
<input type="checkbox"/> ITRSS6026-B18	60 x 33 x 44 (in) 1524 x 838 x 1118 (mm)
<input type="checkbox"/> ITRSS3634-B18	36 x 33 x 52 (in) 914 x 838 x 1321 (mm)
<input type="checkbox"/> ITRSS4834-B18	48 x 33 x 52 (in) 1219 x 838 x 1321 (mm)
<input type="checkbox"/> ITRSS6034-B18	60 x 33 x 52 (in) 1524 x 838 x 1321 (mm)

**STANDARD FEATURES**

**Model Features**

- Powder coated steel base construction with a choice of six standard laminates
- Stainless steel interior
- All tempered thermo-pane glass construction
- Removable tempered sliding glass rear doors
- Leg levelers
- Rear air intake and discharge
- Energy saving Night Curtain

**Refrigeration**

- Electronic temperature control with on demand defrost
- PTC Condensate evaporator provided for a totally self-contained system
- Easily accessible light switch, power switch, and electronic temperature control
- Average product temperature of 38°F (3.3°C) to 40°F (4.4°C)
- R134A Refrigerant

**Shelving**

- Adjustable tempered glass shelves. Shelves are adjustable up and down and can be tilted in two positions ( 0°/ 5° angle). 34" (864mm) models have three tiers of shelves; 26" (660 mm) models have two tiers of shelves

**Lighting**

- 3500K LED top light and shelf lights
- DLC Certified, IP66 rated

**Agency Approvals**

- UL, C-UL, and UL Sanitation Listed to NSF-7, Type I conditions
- DOE 2017 Compliant



Note: Information is subject to change at any time. Visit [www.federalind.com](http://www.federalind.com) For the most current specs.

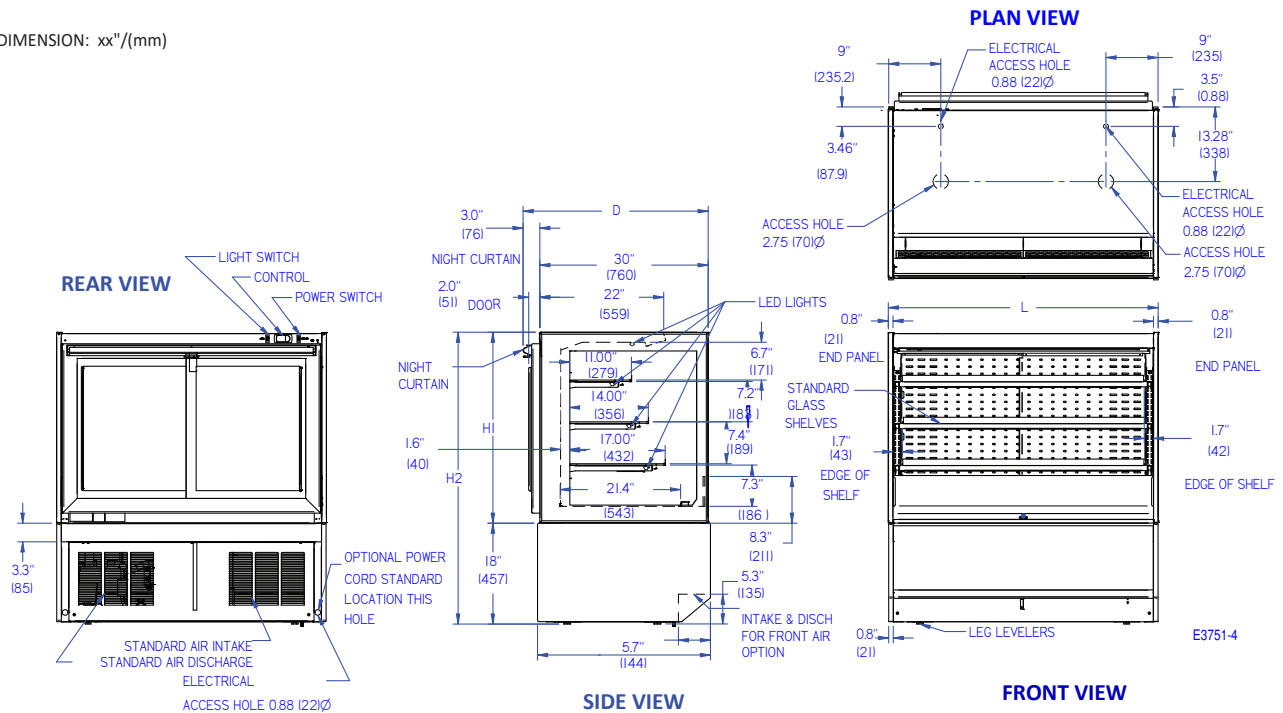
AIA #  
SIS #

# Italian Glass Refrigerated Self-Serve Merchandiser

## Product Specifications

Intended Environment: Type I - Designed to operate in ambient conditions of 75°F (24°C) and 55% relative humidity unless noted otherwise in system information below.		
Zone	Intended product to be displayed	Avg prod temp °F / °C
All	Packaged refrigerated products	38°F / (3.3°C)

DIMENSION: xx"/(mm)



DIMENSION TOLERANCE +/- 0.19 (4.8)

MODEL	DIMENSIONS					SHELVES	SHIPPING WHT		SELF CONTAINED		OPTIONAL NEMA PLUG	REMOTE		BTU @ 20°F
	L	D	H1	H2	UNITS		LBS	KILO	VOLTAGE	AMPS	CONFIG (SC)	VOLTAGE	AMPS	
ITRSS3626-B18	36	33	26	44	in.	2	520	236	120/60/1	MAX FUSE 20	NEMA 5-20	120/60/1	MAX FUSE 15	3900
	914	838	661	1118	mm.									
ITRSS4826-B18	48	33	26	44	in.	2	635	288	120/60/1	MAX FUSE 25	NEMA 5-20	120/60/1	MAX FUSE 15	4700
	1219	838	661	1118	mm.									
ITRSS6026-B18	60	33	26	44	in.	2	760	345	208-240/60/1	MAX FUSE 20	NEMA 6-15	120/60/1	MAX FUSE 15	5750
	1524	838	661	1118	mm.									
ITRSS3634-B18	36	33	34	52	in.	3	560	254	120/60/1	MAX FUSE 20	NEMA 5-20	120/60/1	MAX FUSE 15	3900
	914	838	864	1321	mm.									
ITRSS4834-B18	48	33	34	52	in.	3	670	304	120/60/1	MAX FUSE 25	NEMA 5-20	120/60/1	MAX FUSE 15	4700
	1219	838	864	1321	mm.									
ITRSS6034-B18	60	33	34	52	in.	3	795	361	208-240/60/1	MAX FUSE 20	NEMA 6-15	120/60/1	MAX FUSE 15	5750
	1524	838	864	1321	mm.									

- Refrigerated cases are designed to operate in a maximum of 75°F (24°C) ambient and 55% relative humidity.
- Due to continuing engineering improvements, specifications are subject to change without notice.
- Package food products placed in case must be pre-chilled to 40°F (4.4°C) degrees before placing in case.



The Signature of Quality

**FEDERAL INDUSTRIES**  
A Standex Company

215 Federal Avenue Belleville, Wisconsin 53508-9201

Phone: 800-356-4206

Fax: 608-424-3234

Email: Geninfo@Federalind.com

Website: Federalind.com





The Signature of Quality

**FEDERAL INDUSTRIES**

A Standex Company

215 Federal Avenue Belleville  
Wisconsin 53508-9201

**Phone:** 800-356-4206

**Fax:** 608-424-3234

**Email:** Geninfo@Federalind.com

**Website:** Federalind.com

Project Name: \_\_\_\_\_

Item #: \_\_\_\_\_

Model #: \_\_\_\_\_ Qty: \_\_\_\_\_

Approval: \_\_\_\_\_

AIA #

SIS #

## Italian Glass Non-Refrigerated Counter Display Case

Designed for customers looking for rich, up-scale Italian styling for maximum visual appeal that will drive product sales. Cases are available in lengths of 36", 48", and 60"



Model ITD4826 Shown  
\*Counter Not Provided

MODEL	LENGTH (Includes End Panels)
<input type="checkbox"/> ITD3626	36 x 30 x 26 (in) 914 x 762 x 661 (mm)
<input type="checkbox"/> ITD4826	48 x 30 x 26 (in) 1219 x 762 x 661 (mm)
<input type="checkbox"/> ITD6026	60 x 30 x 26 (in) 1524 x 762 x 661 (mm)
<input type="checkbox"/> ITD3634	36 x 30 x 34 (in) 914 x 762 x 864 (mm)
<input type="checkbox"/> ITD4834	48 x 30 x 34 (in) 1219 x 762 x 864 (mm)
<input type="checkbox"/> ITD6034	60 x 30 x 34 (in) 1524 x 762 x 864 (mm)

### STANDARD FEATURES

#### Model Features

- All tempered glass construction
- Tilt-out front glass for easy cleaning
- Removable sliding glass rear doors
- Stainless steel interior
- Cord & Plug

#### Shelving

- Adjustable tempered glass shelves. Shelves are adjustable up and down and can be tilted in two positions (0°/5° angle) 34" (864mm) models have three tiers of shelves; 26" (660 mm) models have two tiers of shelves

#### Lighting

- 3500K LED top light and shelf lights
- DLC certified, IP66 rated

#### Agency Approvals

- UL and UL Sanitation Listed to NSF-2

### OPTIONAL ACCESSORIES

- Stainless Steel Shelving
- Reflective Rear Doors
- Reflective Ends
- Joining Kit for Continuous Line-ups



**WARRANTY\***  
One year Parts and Labor  
2nd thru 5th year part only  
service compressor  
(U.S.A. and Canada)

**Note: Information is subject to change at any time. Visit [www.federalind.com](http://www.federalind.com) For the most current specs.**

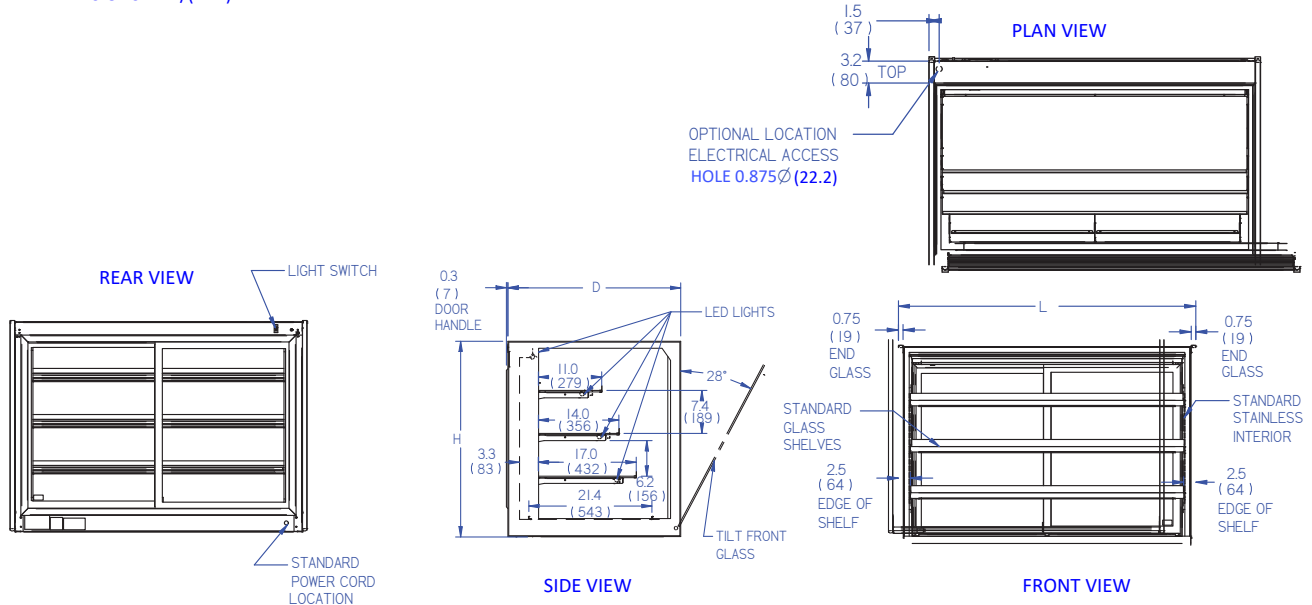
AIA #  
SIS #

# Italian Glass Non-Refrigerated Counter Display Case

## Product Specifications

Zone	Intended product to be displayed	Avg prod temp °F / °C
All	Non-refrigerated food products	N / A

DIMENSIONS: xx"/(mm)



E375I-2

DIMENSION TOLERANCE +/-0.19 (4.8)

MODEL	DIMENSIONS				SHIPPING WHT		VOLTAGE	AMPS	NEMA PLUG
	L	D	H	UNITS	LBS	KILO			
ITD3626	36	30	26	in.	250	113	120/60/1	MAX FUSE 15	NEMA 5-15P
	914	762	661	mm.					
ITD4826	48	30	26	in.	325	147	120/60/1	MAX FUSE 15	NEMA 5-15P
	1219	762	661	mm.					
ITD36026	60	30	26	in.	450	204	120/60/1	MAX FUSE 15	NEMA 5-15P
	1524	762	661	mm.					
ITD3634	36	30	34	in.	275	125	120/60/1	MAX FUSE 15	NEMA 5-15P
	914	762	864	mm.					
ITD4834	48	30	34	in.	350	159	120/60/1	MAX FUSE 15	NEMA 5-15P
	1219	762	864	mm.					
ITD6034	60	30	34	in.	475	216	120/60/1	MAX FUSE 15	NEMA 5-15P
	1524	762	864	mm.					

• Due to continuing engineering improvements, specifications are subject to change without notice.



The Signature of Quality

**FEDERAL INDUSTRIES**

A Standex Company

215 Federal Avenue Belleville, Wisconsin 53508-9201

Phone: 800-356-4206

Fax: 608-424-3234

Email: Geninfo@Federalind.com

Website: Federalind.com





The Signature of Quality®

### FEDERAL INDUSTRIES

A Standex Company

215 Federal Avenue Belleville  
Wisconsin 53508-9201

Phone: 800-356-4206

Fax: 608-424-3234

Email: Geninfo@Federalind.com

Website: Federalind.com

Project Name: \_\_\_\_\_

Item #: \_\_\_\_\_

Model #: \_\_\_\_\_ Qty: \_\_\_\_\_

Approval: \_\_\_\_\_

AIA #

SIS #

## Italian Glass Non-Refrigerated Display Case

Designed for customers looking for rich, up-scale Italian styling for maximum visual appeal that will drive product sales. Cases are available in lengths of 36", 48", and 60"



Model ITD6034-B18

Shown with special laminate option

MODEL	LENGTH (Includes End Panels)
<input type="checkbox"/> ITD3626-B18	36 x 30.75 x 44 (in) 914 x 781 x 1118 (mm)
<input type="checkbox"/> ITD4826-B18	48 x 30.75 x 44 (in) 1219 x 781 x 1118 (mm)
<input type="checkbox"/> ITD6026-B18	60 x 30.75 x 44 (in) 1524 x 781 x 1118 (mm)
<input type="checkbox"/> ITD3634-B18	36 x 30.75 x 52 (in) 914 x 781 x 1321 (mm)
<input type="checkbox"/> ITD4834-B18	48 x 30.75 x 52 (in) 1219 x 781 x 1321 (mm)
<input type="checkbox"/> ITD6034-B18	60 x 30.75 x 52 (in) 1524 x 781 x 1321 (mm)

### STANDARD FEATURES

#### Model Features

- Powder coated steel base construction with a choice of six standard laminates
- Stainless steel interior
- All tempered thermo-pane glass construction
- Tilt-out front glass for easy cleaning
- Removable sliding glass rear doors
- Leg levelers
- Cord & Plug

#### Shelving

- Adjustable glass shelves. Shelves are adjustable up and down and can be tilted in two positions ( 0°/ 5° angle). 34" (864mm) models have three tiers of shelves; 26" (660 mm) models have two tiers of shelves

#### Lighting

- 3500K LED top light and shelf lights
- DLC certified, IP66 rated

#### Agency Approvals

- UL and UL Sanitation Listed to NSF-2

### OPTIONAL ACCESSORIES

- Special Base Laminates
- Stainless Steel Shelving
- Reflective Rear Doors
- Reflective Ends
- 4"/102mm Casters
- Recessed Casters
- 6"/152mm Legs With or Without Skirt
- Rear Package Shelf
- Joining Kit for Continuous Line-Ups



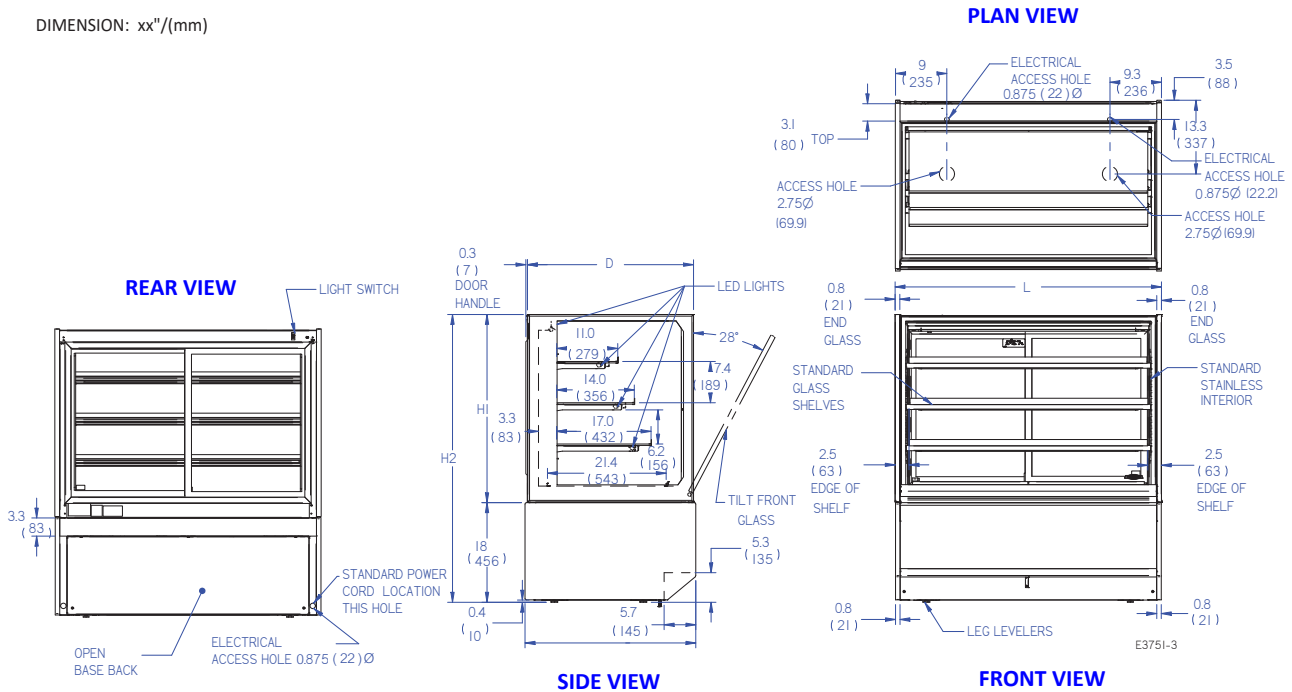
**WARRANTY\***  
One year Parts and Labor  
2nd thru 5th year part only  
service compressor  
(U.S.A. and Canada)

Note: Information is subject to change at any time. Visit [www.federalind.com](http://www.federalind.com) For the most current specs.

AIA #	<h1>Italian Glass Non-Refrigerated Display Case</h1>
SIS #	
<b>Product Specifications</b>	

<b>Zone</b>	Intended product to be displayed	<b>Avg prod temp °F / °C</b>
All	Non-refrigerated food products	N / A

DIMENSION: xx"/(mm)



DIMENSION TOLERANCE +/- 0.19 (4.8)

MODEL	DIMENSIONS					SHIPPING WHT		VOLTAGE	AMPS	NEMA PLUG
	L	D	H1	H2	UNITS	LBS	KILO			
ITD3626-B18	36	30.75	26	44	in.	550	250	120/60/1	MAX FUSE 15	NEMA 5-15P
	914	781	661	1118	mm.					
ITD4826-B18	48	30.75	26	44	in.	640	290	120/60/1	MAX FUSE 15	NEMA 5-15P
	1219	781	661	1118	mm.					
ITD36026-B18	60	30.75	26	44	in.	700	318	120/60/1	MAX FUSE 15	NEMA 5-15P
	1524	781	661	1118	mm.					
ITD3634-B18	36	30.75	34	52	in.	525	238	120/60/1	MAX FUSE 15	NEMA 5-15P
	914	781	864	1321	mm.					
ITD4834-B18	48	30.75	34	52	in.	575	261	120/60/1	MAX FUSE 15	NEMA 5-15P
	1219	781	864	1321	mm.					
ITD6034-B18	60	30.75	34	52	in.	800	363	120/60/1	MAX FUSE 15	NEMA 5-15P
	1524	781	864	1321	mm.					

• Due to continuing engineering improvements, specifications are subject to change without notice.



**FEDERAL INDUSTRIES**  
A Standex Company  
215 Federal Avenue Belleville, Wisconsin 53508-9201



Phone: 800-356-4206

Fax: 608-424-3234

Email: Geninfo@Federalind.com

Website: Federalind.com



*The Signature of Quality*

**FEDERAL INDUSTRIES**

A Standex Company

215 Federal Avenue Belleville  
Wisconsin 53508-9201

**Phone:** 800-356-4206

**Fax:** 608-424-3234

**Email:** Geninfo@Federalind.com

**Website:** Federalind.com

Project Name: \_\_\_\_\_

AIA #

Item #: \_\_\_\_\_

Model #: \_\_\_\_\_ Qty: \_\_\_\_\_

SIS #

Approval: \_\_\_\_\_

**Italian Glass Refrigerated Counter Display Case (Drop-In)**

**Ideal for both Bakery & Deli Merchandising**

Designed for customers looking for rich, up-scale Italian styling for maximum visual appeal that will drive product sales. Cases are available in lengths of 36", 48", and 60"



Model ITR4826 Shown  
\*Counter Not Provided

MODEL	LENGTH (Includes End Panels)
<input type="checkbox"/> ITR3626	36 x 30 x 42 (in) 914 x 762 x 1067 (mm)
<input type="checkbox"/> ITR4826	48 x 30 x 42 (in) 1219 x 762 x 1067 (mm)
<input type="checkbox"/> ITR6026	60 x 30 x 42 (in) 1524 x 762 x 1067 (mm)
<input type="checkbox"/> ITR3634	36 x 30 x 50 (in) 914 x 762 x 1270 (mm)
<input type="checkbox"/> ITR4834	48 x 30 x 50 (in) 1219 x 762 x 1270 (mm)
<input type="checkbox"/> ITR6034	60 x 30 x 50 (in) 1524 x 762 x 1270 (mm)

**STANDARD FEATURES**

**Model Features**

- Stainless steel interior
- All tempered thermo-pane glass construction
- Removable sliding glass rear doors
- Rear air intake and discharge

**Refrigeration**

- Electronic temperature control with on demand defrost
- PTC Condensate evaporator provided for a totally self-contained system
- Easily accessible light switch, power switch, and electronic temperature control
- Average product temperature of 38°F (3.3°C) to 40°F (4.4°C)
- Proper ventilation of counter is required for proper performance
- Rear air intake and discharge
- R134A Refrigerant

**Shelving**

- Adjustable tempered glass shelves. Shelves are adjustable up and down and can be tilted in two positions ( 0°/ 5° angle). 34" (864mm) models have three tiers of shelves; 26" (660mm) models have two tiers of shelves

**Lighting**

- 3500K LED top light and shelf lights
- DLC Certified, IP66 rated

**Agency Approvals**

- UL, C-UL, and UL Sanitation Listed to NSF-7, Type II conditions
- DOE 2017 Compliant

**OPTIONAL ACCESSORIES**

- |   |  |
|---|--|
| <input type="checkbox"/> Stainless Steel Shelving     | <input type="checkbox"/> Reflective Ends                     |
| <input type="checkbox"/> Condensate Pump              | <input type="checkbox"/> Remote Condensing Unit              |
| <input type="checkbox"/> Cord & Plug (SC models only) | <input type="checkbox"/> Joining Kit for continuous line-ups |
| <input type="checkbox"/> Reflective Rear Doors        |  |

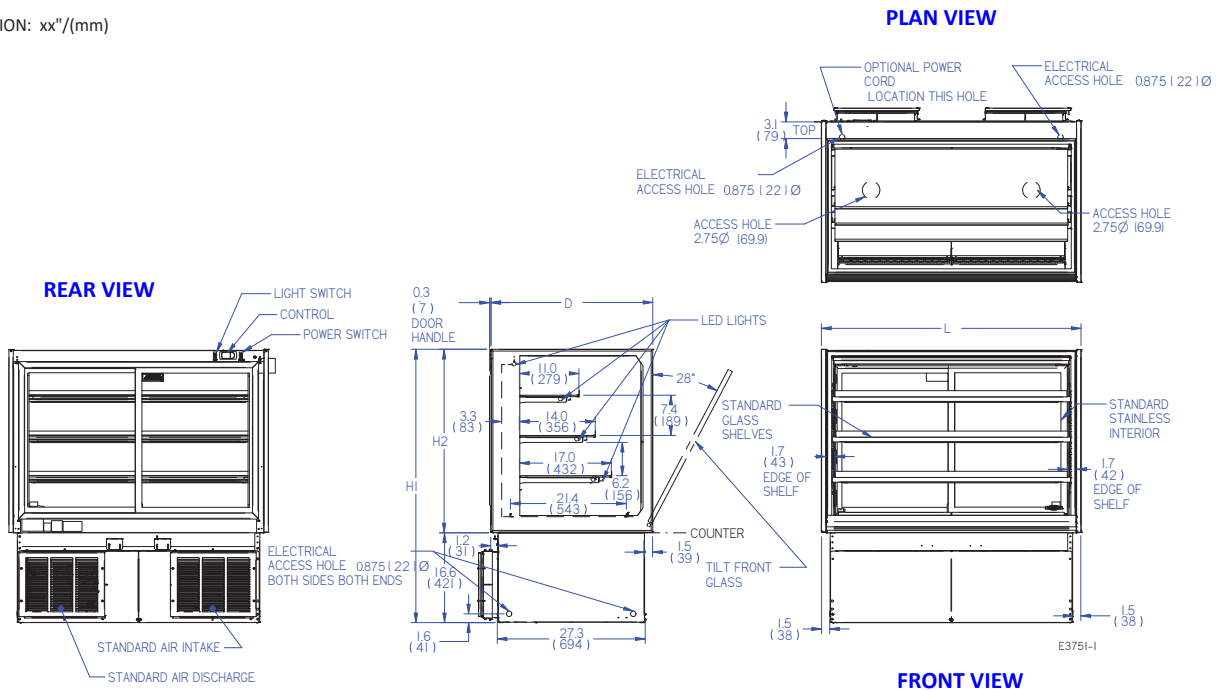


Note: Information is subject to change at any time. Visit [www.federalind.com](http://www.federalind.com) For the most current specs.

AIA #	<h1>Italian Glass Refrigerated Counter Display Case (Drop-In)</h1>
SIS #	<b>Product Specifications</b>

Intended Environment: Type II - Designed to operate in maximum ambient conditions of 80°F (27°C) and 55% relative humidity unless noted otherwise in system information below.		
<b>Zone</b>	<b>Intended product to be displayed</b>	<b>Avg prod temp °F / °C</b>
All	Packaged refrigerated products	38°F / (3.3°C)

DIMENSION: xx"/(mm)



DIMENSION TOLERANCE +/-0.19 (4.8)

MODEL	DIMENSIONS					SHIPPING WHT		SELF CONTAINED		OPTIONAL NEMA PLUG	REMOTE		BTU @ 20°F	COUNTER CUTOUT		
	L	D	H1	H2	UNITS	LBS	KILO	VOLTAGE	AMPS		VOLTAGE	AMPS		L	W	UNITS
ITR3626	36	30	26	42	in.	400	182	120/60/1	MAX FUSE 20	NEMA 5-15P	120/60/1	MAX FUSE 15	3400	33.4	27.7	in.
	914	762	661	1067	mm.									848	704	mm.
ITR4826	48	30	26	42	in.	450	204	120/60/1	MAX FUSE 20	NEMA 5-15P	120/60/1	MAX FUSE 15	3800	45.4	27.7	in.
	1219	762	661	1067	mm.									1153	704	mm.
ITR36026	60	30	26	42	in.	550	250	120/60/1	MAX FUSE 20	NEMA 5-15P	120/60/1	MAX FUSE 15	4200	57.4	27.7	in.
	1524	762	661	1067	mm.									1458	704	mm.
ITR3634	36	30	34	50	in.	450	204	120/60/1	MAX FUSE 20	NEMA 5-15P	120/60/1	MAX FUSE 15	3400	33.4	27.7	in.
	914	762	864	1270	mm.									848	704	mm.
ITR4834	48	30	34	50	in.	530	240	120/60/1	MAX FUSE 20	NEMA 5-15P	120/60/1	MAX FUSE 15	3800	45.4	27.7	in.
	1219	762	864	1270	mm.									1153	704	mm.
ITR6034	60	30	34	50	in.	610	277	120/60/1	MAX FUSE 20	NEMA 5-15P	120/60/1	MAX FUSE 15	4200	57.4	27.7	in.
	1524	762	864	1270	mm.									1458	704	mm.

- Refrigerated cases are designed to operate in a maximum of 80°F (27°C) ambient and 55% relative humidity.
- Due to continuing engineering improvements, specifications are subject to change without notice.
- Counter must have adequate ventilation for proper case performance.



**FEDERAL INDUSTRIES**  
A Standex Company  
215 Federal Avenue Belleville, Wisconsin 53508-9201







*The Signature of Quality*

**FEDERAL INDUSTRIES**

A Standex Company

215 Federal Avenue Belleville  
Wisconsin 53508-9201

**Phone:** 800-356-4206

**Fax:** 608-424-3234

**Email:** Geninfo@Federalind.com

**Website:** Federalind.com

Project Name: \_\_\_\_\_

Item #: \_\_\_\_\_

Model #: \_\_\_\_\_ Qty: \_\_\_\_\_

Approval: \_\_\_\_\_

AIA #

SIS #

**Italian Glass Refrigerated Display Case**

**Ideal for both Bakery & Deli Merchandising**

Designed for customers looking for rich, up-scale Italian styling for maximum visual appeal that will drive product sales. Cases are available in lengths of 36", 48", and 60"



Model ITR6034-B18  
Shown with optional laminate

MODEL	LENGTH (Includes End Panels)
<input type="checkbox"/> ITR3626-B18	36 x 30.75 x 44 (in) 914 x 781 x 1118 (mm)
<input type="checkbox"/> ITR4826-B18	48 x 30.75 x 44 (in) 1219 x 781 x 1118 (mm)
<input type="checkbox"/> ITR6026-B18	60 x 30.75 x 44 (in) 1524 x 781 x 1118 (mm)
<input type="checkbox"/> ITR3634-B18	36 x 30.75 x 52 (in) 914 x 781 x 1321 (mm)
<input type="checkbox"/> ITR4834-B18	48 x 30.75 x 52 (in) 1219 x 781 x 1321 (mm)
<input type="checkbox"/> ITR6034-B18	60 x 30.75 x 52 (in) 1524 x 781 x 1321 (mm)

**STANDARD FEATURES**

**Model Features**

- Powder coated steel base construction with a choice of six standard laminates
- Stainless steel interior
- All tempered thermo-pane glass construction
- Tilt out front glass for easy cleaning
- Removable sliding glass rear doors
- Leg levelers
- Rear air intake and discharge.

**Refrigeration**

- Electronic temperature control with on demand defrost
- PTC Condensate evaporator provided for a totally self-contained system
- Easily accessible light switch, power switch, and electronic temperature control
- Average product temperature of 38°F (3.3°C) to 40°F (4.4°C)
- R134A Refrigerant

**Shelving**

- Adjustable tempered glass shelves. Shelves are adjustable up and down and can be tilted in two positions ( 0°/ 5° angle). 34" (864mm) models have three tiers of shelves; 26" (660mm) models have two tiers of shelves

**Lighting**

- 3500K LED top light and shelf lights
- DLC Certified, IP66 rated

**Agency Approvals**

- UL, C-UL, and UL Sanitation Listed to NSF-7, Type II conditions
- DOE 2017 Compliant

**OPTIONAL ACCESSORIES**

- Special Base Laminates
- Condensate Pump
- Cord & Plug (ISC models only)
- Stainless Steel Shelving
- Reflective Rear Doors
- Reflective Ends
- Front Air Intake & Discharge
- 4"/102mm Casters
- Recessed Casters
- 6"/152mm Legs With or Without Skirt
- Rear Package Shelf
- Remote Condensing Unit
- Joining Kit for Continuous Line-Ups



**Note: Information is subject to change at any time. Visit [www.federalind.com](http://www.federalind.com) For the most current specs.**

AIA #  
SIS #

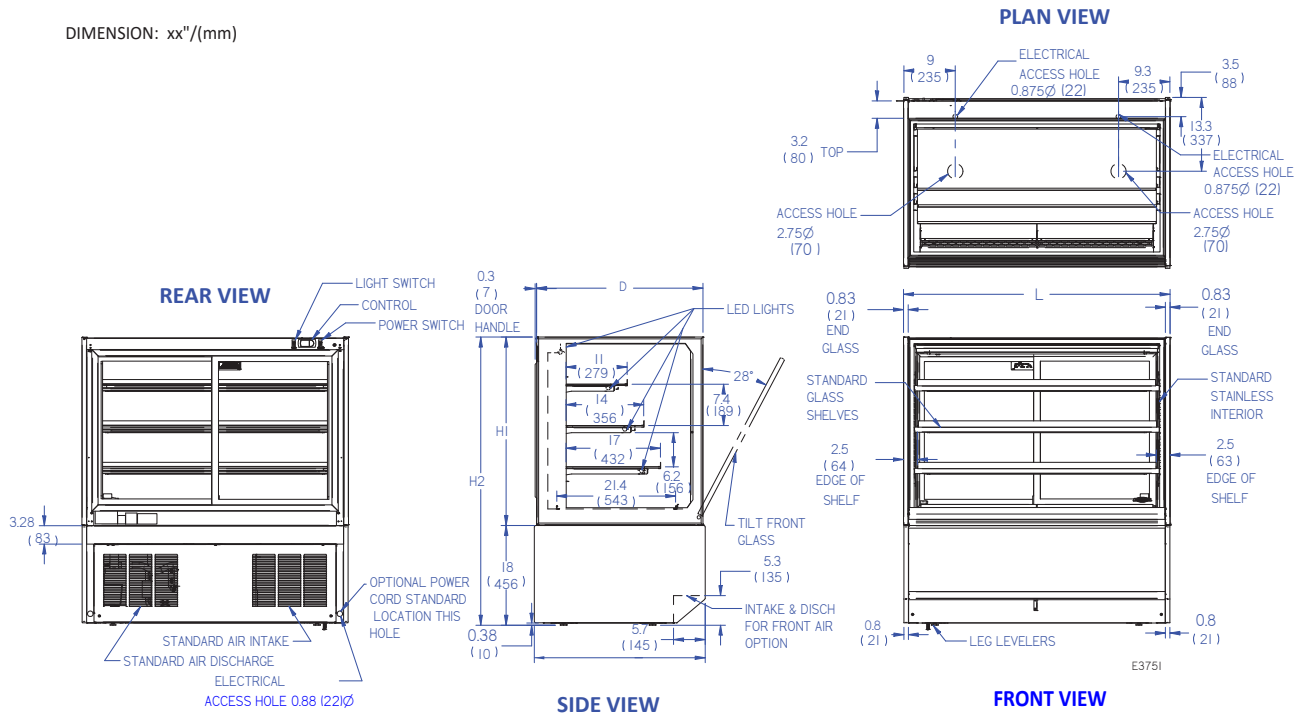
# Italian Glass Refrigerated Display Case

## Product Specifications

Intended Environment: Type II - Designed to operate in maximum ambient conditions of 80°F (27°C) and 55% relative humidity unless noted otherwise in system information below.

Zone	Intended product to be displayed	Avg prod temp °F / °C
All	Unpackaged Refrigerated Products / All Foods & Beverages	38°F / (3.3°C)

DIMENSION: xx"/(mm)



DIMENSION TOLERANCE +/- 0.19 (4.8)

MODEL	DIMENSIONS					SHIPPING WHT		SELF CONTAINED		OPTIONAL NEMA PLUG	REMOTE		BTU @ 20°F
	L	D	H1	H2	UNITS	LBS	KILO	VOLTAGE	AMPS	CONFIG (SC)	VOLTAGE	AMPS	
ITR3626-B18	36	30.75	26	44	in.	625	284	120/60/1	MAX FUSE 20	NEMA 5-15P	120/60/1	MAX FUSE 15	3400
	914	781	661	1118	mm.								
ITR4826-B18	48	30.75	26	44	in.	680	309	120/60/1	MAX FUSE 20	NEMA 5-15P	120/60/1	MAX FUSE 15	3800
	1219	781	661	1118	mm.								
ITR36026-B18	60	30.75	26	44	in.	820	372	120/60/1	MAX FUSE 20	NEMA 5-15P	120/60/1	MAX FUSE 15	4200
	1524	781	661	1118	mm.								
ITR3634-B18	36	30.75	34	52	in.	610	277	120/60/1	MAX FUSE 20	NEMA 5-15P	120/60/1	MAX FUSE 15	3400
	914	781	864	1321	mm.								
ITR4834-B18	48	30.75	34	52	in.	800	363	120/60/1	MAX FUSE 20	NEMA 5-15P	120/60/1	MAX FUSE 15	3800
	1219	781	864	1321	mm.								
ITR6034-B18	60	30.75	34	52	in.	930	422	120/60/1	MAX FUSE 20	NEMA 5-15P	120/60/1	MAX FUSE 15	4200
	1524	781	864	1321	mm.								

- Refrigerated cases are designed to operate in a maximum of 80°F (27°C) ambient and 55% relative humidity.
- Due to continuing engineering improvements, specifications are subject to change without notice.
- Packaged food products placed in case must be pre-chilled before placing in case.



The Signature of Quality

### FEDERAL INDUSTRIES

A Standex Company

215 Federal Avenue Belleville, Wisconsin 53508-9201

Phone: 800-356-4206

Fax: 608-424-3234

Email: Geninfo@Federalind.com

Website: Federalind.com





*The Signature of Quality*

**FEDERAL INDUSTRIES**

A Standex Company

215 Federal Avenue Belleville  
Wisconsin 53508-9201

**Phone:** 800-356-4206

**Fax:** 608-424-3234

**Email:** Geninfo@Federalind.com

**Website:** Federalind.com

Project Name: \_\_\_\_\_

AIA #

Item #: \_\_\_\_\_

Model #: \_\_\_\_\_ Qty: \_\_\_\_\_

SIS #

Approval: \_\_\_\_\_

**Italian Glass Refrigerated Self-Serve Merchandiser (Drop-In)**

Designed for customers looking for rich, up-scale Italian styling for maximum visual appeal that will drive product sales. Cases are available in lengths of 36", 48", and 60"



Model ITRSS3634 Shown  
\*Counter Not Provided

MODEL	LENGTH (Includes End Panels)
<input type="checkbox"/> ITRSS3626	36 x 33 x 42.7 (in) 914 x 838 x 1085 (mm)
<input type="checkbox"/> ITRSS4826	48 x 33 x 42.7 (in) 1219 x 838 x 1085 (mm)
<input type="checkbox"/> ITRSS6026	60 x 33 x 42.7 (in) 1524 x 838 x 1085 (mm)
<input type="checkbox"/> ITRSS3634	36 x 33 x 50.7 (in) 914 x 838 x 1288 (mm)
<input type="checkbox"/> ITRSS4834	48 x 33 x 50.7 (in) 1219 x 838 x 1288 (mm)
<input type="checkbox"/> ITRSS6034	60 x 33 x 50.7 (in) 1524 x 838 x 1288 (mm)

**STANDARD FEATURES**

**Model Features**

- Stainless steel interior
- All tempered thermo-pane glass construction
- Removable sliding glass rear doors
- Rear air intake and discharge

**Refrigeration**

- Electronic temperature control with on demand defrost
- PTC Condensate evaporator provided for a totally self-contained system
- Easily accessible light switch, power switch, and electronic temperature control
- Average product temperature of 38°F (3.3°C) to 40°F (4.4°C)
- Proper ventilation of counter is required for proper performance
- Rear air intake and discharge
- Energy saving Night Curtain
- R134A Refrigerant

**Shelving**

- Adjustable tempered glass shelves. Shelves are adjustable up and down and can be tilted in two positions ( 0°/ 5° angle). 34" (864mm) models have three tiers of shelves; 26" (660mm) models have two tiers of shelves

**Lighting**

- 3500K LED top light and shelf lights
- DLC Certified, IP66 rated

**Agency Approvals**

- UL, C-UL, and UL Sanitation Listed to NSF-7, Type I conditions
- DOE 2017 Compliant

**OPTIONAL ACCESSORIES**

- Stainless Steel Shelving
- Condensate Pump
- Cord & Plug (SC models only)
- Reflective Rear Doors
- Reflective Ends
- Remote Condensing Unit
- Joining Kit for Continuous Line-Ups



**WARRANTY\***  
One year Parts and Labor  
2nd thru 5th year part only  
service compressor  
(U.S.A. and Canada)

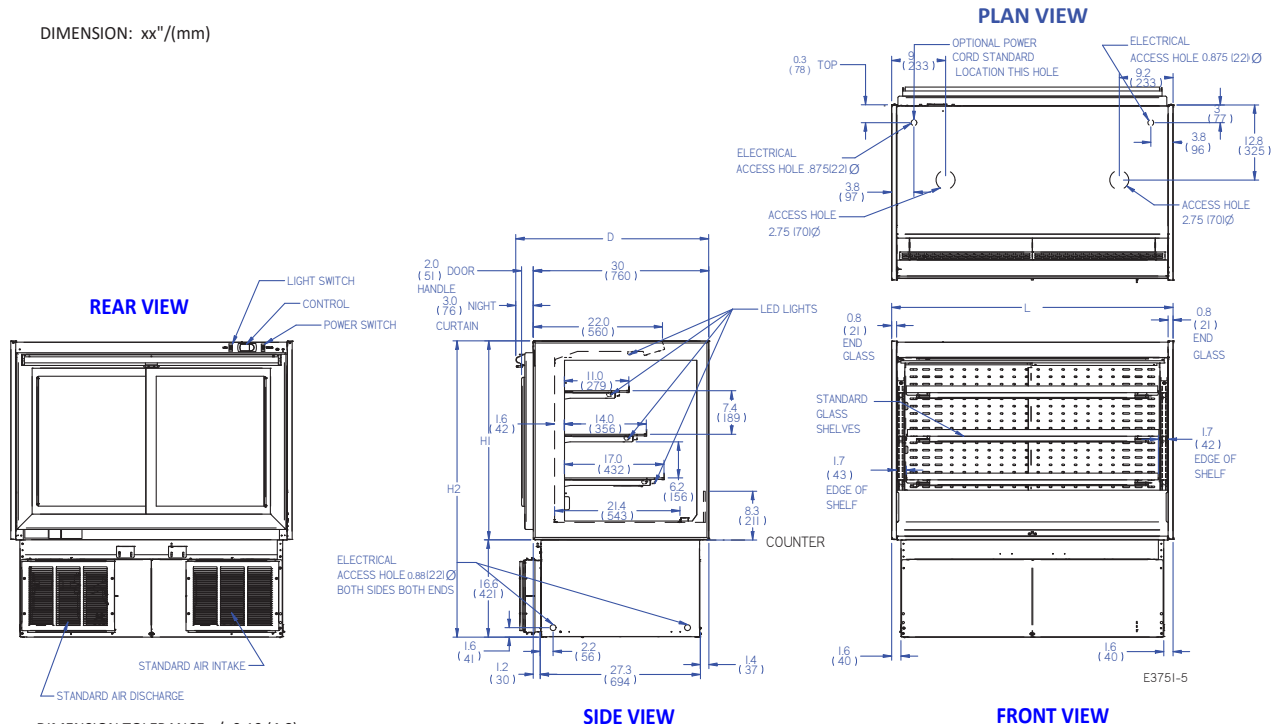
Note: Information is subject to change at any time. Visit [www.federalind.com](http://www.federalind.com) For the most current specs.

AIA #	Italian Glass Refrigerated Self-Serve Merchandiser (Drop-In)
SIS #	
Product Specifications	

Intended Environment: Type I - Designed to operate in maximum ambient conditions of 75°F (24°C) and 55% relative humidity unless noted otherwise in system information below.

Zone	Intended product to be displayed	Avg prod temp °F / °C
All	Packaged refrigerated products	38°F / (3.3°C)

DIMENSION: xx"/(mm)



DIMENSION TOLERANCE +/- 0.19 (4.8)

MODEL	DIMENSIONS					SHIPPING WHT		SELF CONTAINED		OPTIONAL NEMA PLUG	REMOTE		BTU @ 20°F	COUNTER CUTOUT		
	L	D	H1	H2	UNITS	LBS	KILO	VOLTAGE	AMPS		VOLTAGE	AMPS		L	W	UNITS
ITRSS3626	36	33	26	42.7	in.	520	236	120/60/1	MAX FUSE 20	NEMA 5-20	120/60/1	MAX FUSE 15	3900	33.4	27.7	in.
	914	838	661	1085	mm.									848	704	mm.
ITRSS4826	48	33	26	42.7	in.	635	288	120/60/1	MAX FUSE 25	NEMA 5-20	120/60/1	MAX FUSE 15	4700	45.4	27.7	in.
	1219	838	661	1085	mm.									1153	704	mm.
ITRSS36026	60	33	26	42.7	in.	760	345	208-240/60/1	MAX FUSE 20	NEMA 6-15	120/60/1	MAX FUSE 15	5750	57.4	27.7	in.
	1524	838	661	1085	mm.									1458	704	mm.
ITRSS3634	36	33	34	50.7	in.	560	254	120/60/1	MAX FUSE 20	NEMA 5-20	120/60/1	MAX FUSE 15	3900	33.4	27.7	in.
	914	838	864	1288	mm.									848	704	mm.
ITRSS4834	48	33	34	50.7	in.	670	304	120/60/1	MAX FUSE 25	NEMA 5-20	120/60/1	MAX FUSE 15	4700	45.4	27.7	in.
	1219	838	864	1288	mm.									1153	704	mm.
ITRSS6034	60	33	34	50.7	in.	795	361	208-240/60/1	MAX FUSE 20	NEMA 6-15	120/60/1	MAX FUSE 15	5750	57.4	27.7	in.
	1524	838	864	1288	mm.									1458	704	mm.

- Refrigerated cases are designed to operate in a maximum of 75°F (24°C) ambient and 55% relative humidity.
- Due to continuing engineering improvements, specifications are subject to change without notice.
- Counter must have adequate ventilation for proper case performance.
- Packaged food products placed in case must be pre-chilled before placing in case.



**FEDERAL INDUSTRIES**  
A Standex Company  
215 Federal Avenue Belleville, Wisconsin 53508-9201



Phone: 800-356-4206

Fax: 608-424-3234

Email: Geninfo@Federalind.com

Website: Federalind.com