



a Standex company

ITEM: \_\_\_\_\_ PROJECT NAME: \_\_\_\_\_ DATE: \_\_\_\_\_

## CURVED GLASS DUAL ZONE CASE

MODEL  **CGR5042DZ**     **CGR5948DZ**  
 **CGR5048DZ**     **CGR7742DZ**  
 **CGR5942DZ**     **CGR7748DZ**



*Sleek curved-glass styling blends with traditional design elements to maximize performance. Cases are available in lengths of 36", 50", 59", and 77". Designed for continuous case line-ups.*

### STANDARD FEATURES

- Curved glass styling.
- Single base design.
- Left side refrigerated, right side non-refrigerated from customer view.
- Adjustable white wire shelves. Shelves are adjustable up and down and can also be tilted in three positions. 48" models have three tiers of shelves; 42" models have two tiers of shelves.
- LED top light and shelf lights.
- Tempered thermopane tilt-out front glass for easy cleaning. Front glass is curved for high visual product display.
- Tempered thermopane glass ends and doors.
- Removable sliding rear doors, shelf lights, shelf supports, and shelves.
- Steel base construction with a choice of six standard laminates on base. Other finishes optional.
- Black trim, others optional.

- White scratch-resistant display deck.
- UL Safety and UL Sanitation Listed.

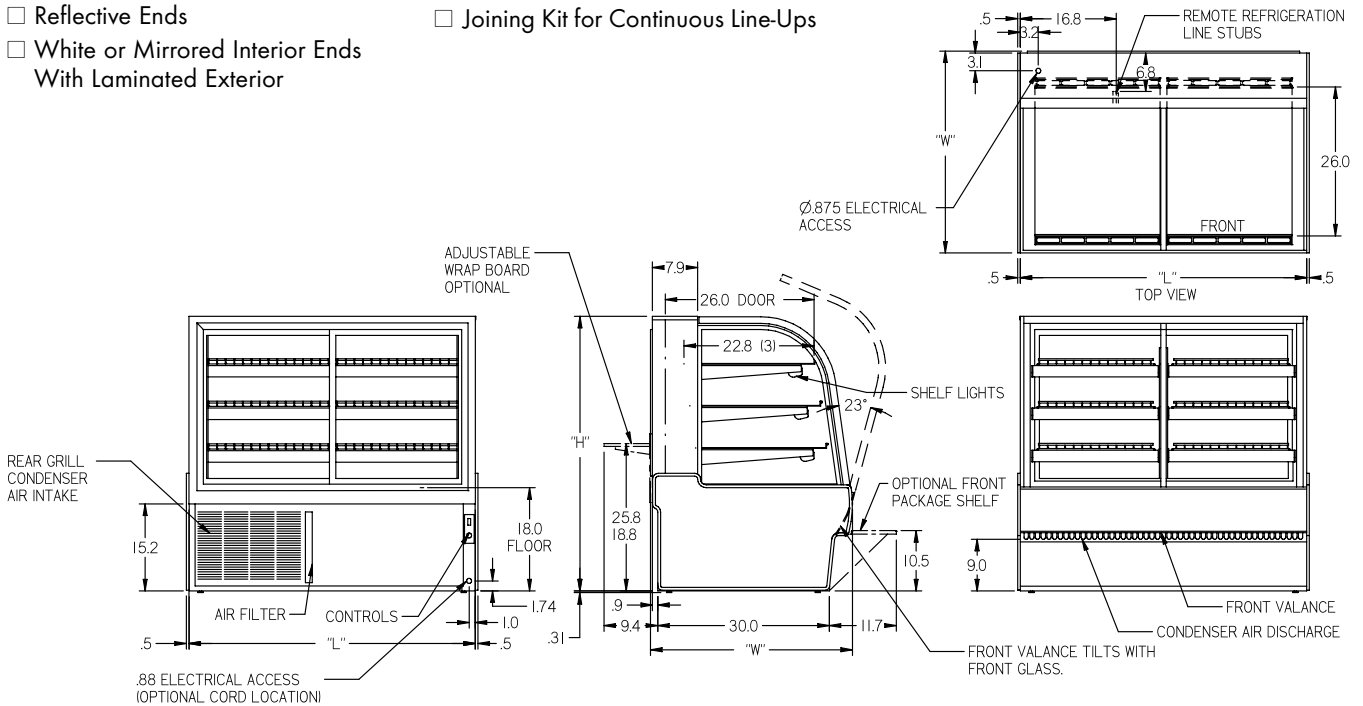
#### Added Features for Refrigerated Side

- Condenser air filter on self-contained units.
- Thermometer.
- Condensate evaporator provided for a totally self-contained system.
- Oversized coil and low-velocity fan system maintains high humidity and product freshness.
- Easy clean, rustproof insulated evaporator coil compartment.
- Adjustable temperature control.
- Average case temperature of 38° to 40° is maintained.
- Rear access of the refrigeration system for quick and easy service.
- 134A Refrigerant.

# CURVED GLASS DUAL ZONE CASE

## OPTIONAL ACCESSORIES:

- Special Base Finish
- Glass Shelves
- Rear Wrapping Board
- Cord & Plug  
(NEMA 5-15P/77" 5-20P)
- Remote Condensing Unit
- Black, Gold, or Chrome Wire Shelves
- Reflective Ends
- White or Mirrored Interior Ends With Laminated Exterior
- Reflective Rear Doors
- Casters/Cord & Plug Included (Self-Contained Models Only)
- Legs
- Top Cutting Board, White
- Package Shelf
- LED Light Below Package Shelf
- Front Glass and Rear Door Locks
- Joining Kit for Continuous Line-Ups



## SPECIFICATIONS:

Model	Dimensions L W H	Self-Contained 120/60/1	Remote 120/60/1
<input type="checkbox"/> CGR5042DZ	50.13" x 35.31" x 42"	1/3 HP • 8.0 AMPS	2.5 AMPS
<input type="checkbox"/> CGR5048DZ	50.13" x 35.31" x 48"	1/3 HP • 8.0 AMPS	2.5 AMPS
<input type="checkbox"/> CGR5942DZ	59.13" x 35.31" x 42"	1/3 HP • 9.0 AMPS	3.0 AMPS
<input type="checkbox"/> CGR5948DZ	59.13" x 35.31" x 48"	1/3 HP • 9.0 AMPS	3.0 AMPS
<input type="checkbox"/> CGR7742DZ	77.13" x 35.31" x 42"	1/3 HP • 9.0 AMPS	3.0 AMPS
<input type="checkbox"/> CGR7748DZ	77.13" x 35.31" x 48"	1/3 HP • 9.0 AMPS	3.0 AMPS

- If a GFCI circuit is required, a GFCI Breaker Must be used instead of GFCI receptacle.
- Refrigerated cases are designed to operate in a maximum environment of 75°F ambient and 55% relative humidity.
- Due to continuing engineering improvements, specifications are subject to change without notice.



*The Signature of Quality*

**FEDERAL INDUSTRIES**  
A Standex Company

215 FEDERAL AVENUE, BELLEVILLE, WISCONSIN 53508-9201

PHONE: 800-356-4206

EMAIL: geninfo@federalind.com

FAX: 608-424-3234

WEBSITE: www.federalind.com

