



a Standex company

ITEM: _____ PROJECT NAME: _____ DATE: _____

COUNTER TOP SIGNATURE SERIES REFRIG. SELF-SERVE REAR MOUNT

MODEL CRR3628SS / CRR4828SS

REFRIG. SELF-SERVE BOTTOM MOUNT

MODEL CRB3628SS / CRB4828SS



The Signature Series counter top self-serve merchandiser combines attractive curved glass styling and merchandising flexibility. Designed for continuous case line-ups. Cases are available in lengths of 3' and 4'.

STANDARD FEATURES

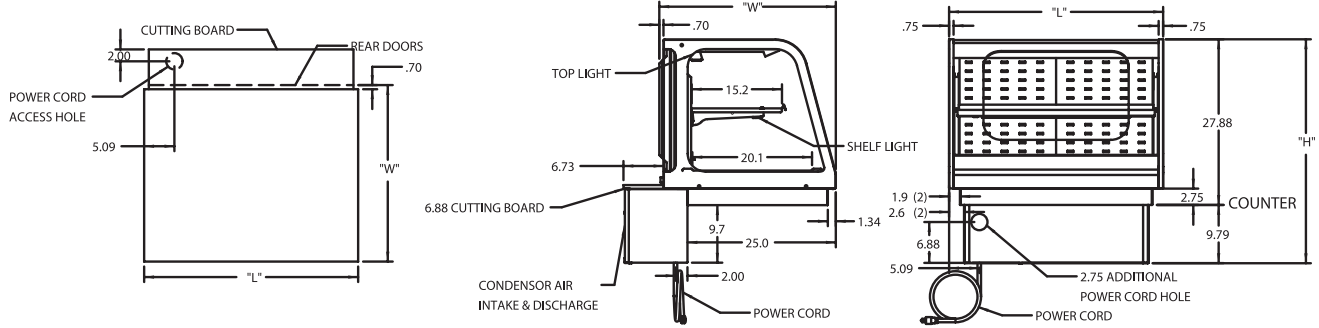
- Curved glass styling.
- Adjustable black metal shelf. Adjustable up and down and can also be tilted in two positions.
- Tempered front glass with self-serve cut out for customer access. Acrylic end panels.
- LED top light and shelf light.
- Removable sliding rear doors, shelf light, shelf supports, and shelf.
- Thermometer.
- Removable, scratch-resistant, rustproof black display deck.
- Easily accessible light switch and adjustable temperature control.
- Average case temperature of 38° F to 40° F is maintained.
- Black painted metal and stainless construction. Black trim.
- Designed for continuous line-ups.
- 134A Refrigerant.
- Cord and plug (NEMA 5-15P).
- Installation Flexibility
- Set directly on counter with condensing component mounted on rear (CRR Models).
- Recessed 3" in the counter with condensing component mounted underneath (CRB Models).
- UL Safety and UL Sanitation Listed.

SIGNATURE SERIES REFRIGERATED SELF-SERVE COUNTER TOP MERCHANDISER

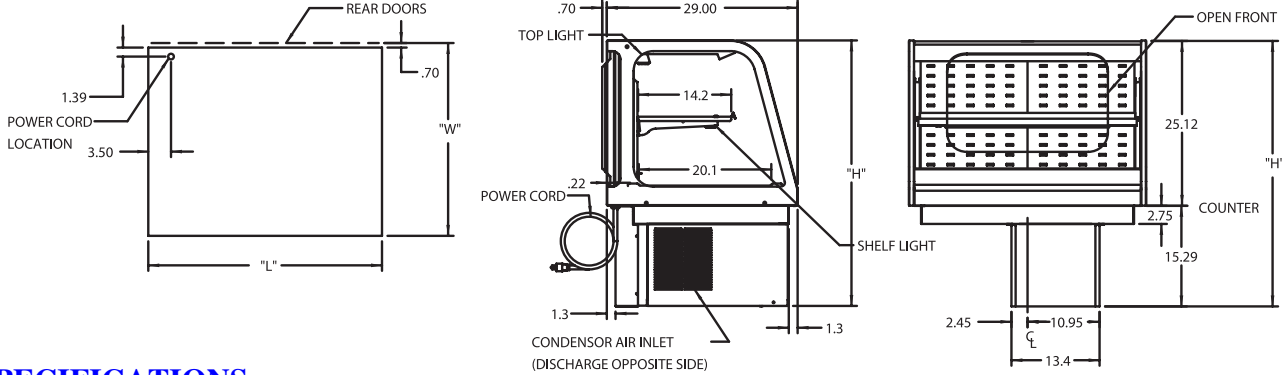
OPTIONAL ACCESSORIES:

- Glass Shelf
- Reflective Ends
- Reflective Rear Doors
- Remote Refrigeration
- LED Lighting

REAR MOUNT



BOTTOM MOUNT



SPECIFICATIONS:

| Model | Dimensions* | | | Shipping Weight (lbs) | Self-Contained 120/60/1 | Remote 120/60/1Rear Mount |
|---------------------|-------------|-------|-------|-----------------------|-------------------------|---------------------------|
| | L | W | H | | | |
| Rear Mount | | | | | | |
| CRR3628SS | 36.0" | 29.7" | 37.7" | 430 | 8.1 AMPS | 1.5 AMPS |
| CRR4828SS | 48.0" | 29.7" | 37.7" | 500 | 8.3 AMPS | 1.5 AMPS |
| Bottom Mount | | | | | | |
| CRB3628SS | 36.0" | 29.7" | 40.5" | 430 | 8.1 AMPS | 3.6 AMPS |
| CRB4828SS | 48.0" | 29.7" | 40.5" | 500 | 8.3 AMPS | 3.8 AMPS |

* Height above counter.

- If a GFCI circuit is required, a GFCI Breaker Must be used instead of GFCI receptacle.
- Refrigerated cases are designed to operate in an environment of 75° ambient and 55% relative humidity.
- Due to continuing engineering improvements, specifications are subject to change without notice.



Look to Federal for Innovative Merchandising



The Signature of Quality

FEDERAL INDUSTRIES
A Standex Company

215 FEDERAL AVENUE, BELLEVILLE, WISCONSIN 53508-9201
PHONE: 800-356-4206 **FAX: 608-424-3234**
EMAIL: geninfo@federalind.com **WEBSITE: www.federalind.com**

